

ZURN

**Single Flush, Left Hand Trip Lever, Two Piece, Tank Toilet, Elongated**

Item #45A121 Mfr. Model #Z5555-K  
UNSPSC #30181505 Catalog Page #N/A



Country of Origin China. Country of Origin is subject to change.

Floor-mount gravity-tank two-piece tank-and-bowl kits eliminate the need to select a separate tank and bowl and

**Technical Specs**

Item	Tank Toilet	Flush Handle	Left Hand Trip Lever
Toilet Product Type	Tank Toilet	Rough-In	12 in
Toilet Mounting Style	Floor	Toilet Material	Vitreous China
Toilet Bowl Shape	Elongated	Color Family	Whites
Brand and Series	Zurn EcoVantage(R)	Insulated Tank	No
Number of Pieces	Two Piece	Includes Toilet Tank	Yes
Gallons per Flush	1.28	Includes Flush Valve Cover	No
Flushing Method	Gravity Fed	ADA Compliance	Yes
Flush Mode	Single Flush	Manufacturers Warranty Length	3 yr
Flush Valve Type Included	Manual	Weight Capacity	400 lb

Your Price (C)

**\$252.04** / each

This item requires special shipping, additional charges may apply.

Qty  
1

**Add to Cart**

Setup Auto Reorder

Ship  Pickup

Ships from supplier. Expected to arrive on or before **Thu. Feb 10.**

Ship to 34601 | [Change](#)

Shipping Weight 83 lbs  
Ship Availability Terms

[Add to List](#)

[Add to Quote](#)



**Z5535**

EcoVantage® High Efficiency, 1.28 GPF,  
Elongated, Siphon Jet Toilet

TAG \_\_\_\_\_



**Z5535 HET Series**

- 1.28 gpf (gallons per flush)
- High efficiency toilets (HET) reduces potable water usage over 20%
- Vitreous china
- 3" Flush valve for powerful flushing
- Chrome plated handle
- Elongated front rim
- EcoVantage® siphon-jet design
- Extra large foot print for easy retro-fit
- 2 1/8" Fully glazed trapway
- Chloramine resistant internal components
- Heavy-duty stabilizers for rigid tank to bowl connection
- Concealed sanitary bar
- 2 1/2" Trap seal
- Large 10" x 8" water surface
- Includes bolt caps
- Shipping weight: 89 lbs.

**Suffix Options:**

- \_\_\_ **-RH** Vitreous China right-hand lever tank
- \_\_\_ **-VL** Vitreous China lid with vandal-proof lockdown
- \_\_\_ **-IN** Insulated tank

**Recommended Trim:**

- Z5958SS-EL** Elongated, white, closed front toilet seat with cover & stainless steel check hinge.
- Z5972-COMB** Closet bolt & wax ring kit.
- Z8800-CR** Standard stop with flexible closet riser.

**Optional Trim**

- Z5975-FLO-JR**  
PVC Flo-Bowl Jr. closet flange kit

*These dimensions and specifications are subject to change without notice.*

*Fixture dimensions meet ANSI/ASME standard A112.19.2-2003 and CAN/CSA B45 requirements.*

See Zurn One Systems for suggested packages.

ZURN INDUSTRIES, INC. ♦ COMMERCIAL BRASS OPERATION ♦ 5900 ELWIN BUCHANAN DRIVE ♦ SANFORD NC 27330  
Phone: 1-800-997-3876 ♦ Fax: 919-775-3541 ♦ World Wide Web: www.zurn.com

In Canada: ZURN INDUSTRIES LIMITED ♦ 3544 Nashua Drive ♦ Mississauga, Ontario L4V1L2 ♦ Phone: 905-405-8272 Fax: 905-405-1292

**Engineering Specification:**

- Z5535** Vitreous china, high efficiency, 1.28 gpf [4.8 Lpf] low consumption, high performance siphon-jet toilet with 3" flush valve, elongated front rim and 12" standard rough-in.

Note: Call for availability of multiple suffix options.

This space is for Architectural/engineering Approval



**CODE NUMBER**

3080053

**DESCRIPTION**

1.6 gpf, Polished Chrome Finish, Single Flush, Regal® Exposed Manual Water Closet Flushometer.

**DETAILS**

- Flush Volume: 1.6 gpf (6.0 Lpf)
- Finish: Polished Chrome (CP)
- Valve: Diaphragm
- Valve Body Material: Semi-red Brass
- Fixture Type: Water Closet
- Fixture Connection: Top
- Rough-In Dimension: 11 ½" (292mm)
- Spud Coupling: 1 ½" (38mm)
- Supply Pipe: 1" (25mm)

**FEATURES**

- ADA Compliant Metal Oscillating Non-Hold-Open Handle
- 1" I.P.S. Screwdriver Bak-Chek® Angle Stop
- Control Stop Plug
- Sweat Solder Adapter with Cover Tube
- Cast Wall Flange with Set Screw
- Vacuum Breaker Flush Connection
- Non-Hold-Open Handle and No External Volume Adjustment to Ensure Water Conservation



**COMPLIANCES & CERTIFICATIONS**



(ADA Compliant, cUPC Certified, BAA Compliant)

**RECOMMENDED SPECIFICATION**

Valve Body, Cover, Tailpiece and Control Stop shall be in conformance with ASTM Alloy Classification for Semi- Red Brass. Valve shall be in compliance with the applicable sections of ASSE 1037 and ANSI/ASME 112.19.2.

**VALVE OPERATING PRESSURE (FLOWING)**

15-80 PSI (103-552 kPa). Specific fixtures may require greater minimum flowing pressure - consult manufacturer requirements.

**DOWNLOADS**

- Regal XL Exposed Installation Instructions
- Control Stop Repair and Maintenance Guide
- Flush Connections Flanges Repair and Maintenance Guide
- Tail Piece Repair and Maintenance Guide
- Regal Flushometers Repair and Maintenance Guide
- Flushometer Pressure gauges
- Additional Downloads

**NOTES**

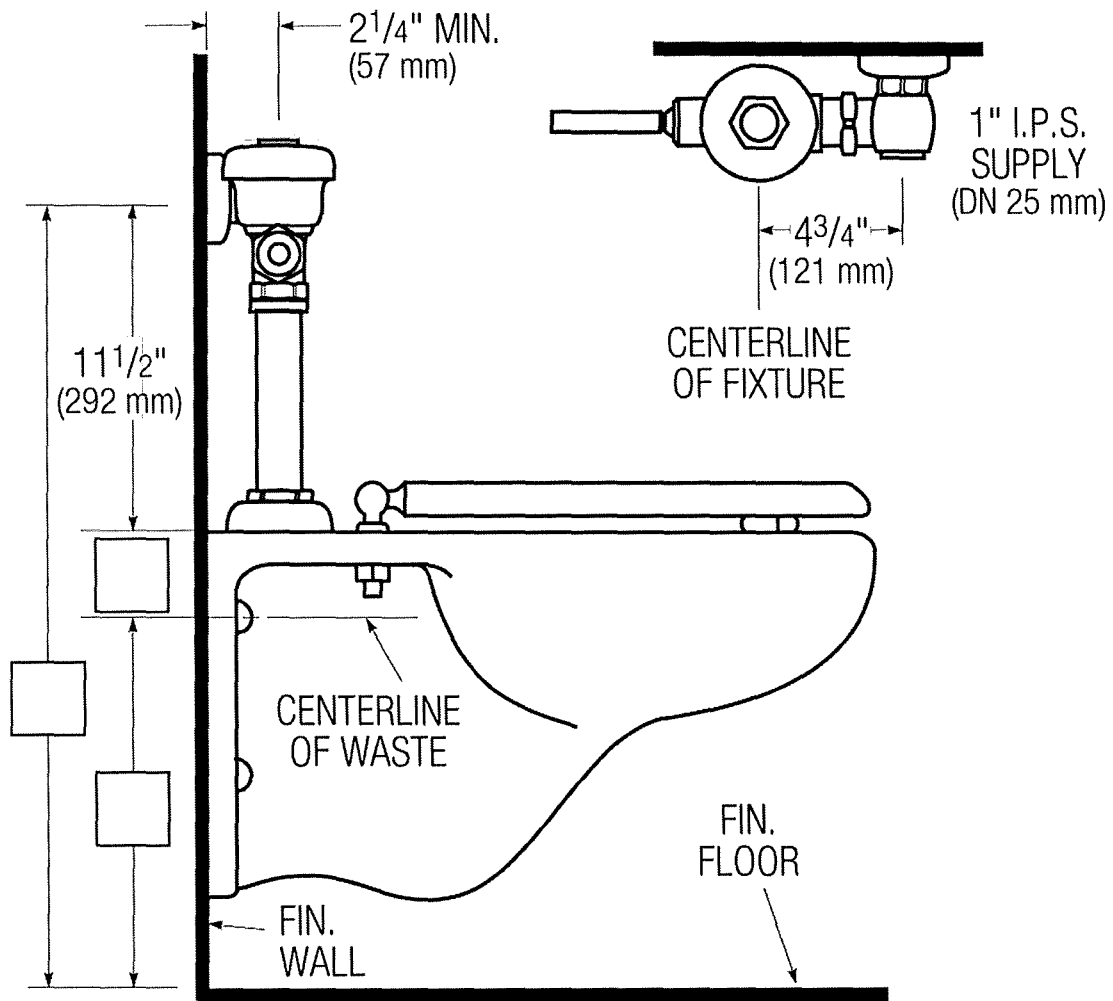
All information contained within this document subject to change without notice.

Looking for other variations of the REGAL 111 product? View the general spec sheet with all options.

Find a compatible urinal for this flushometer.

Find a compatible water closet for this flushometer.

## ROUGH-IN



Sloan 10500 Seymour Ave, Franklin Park, IL 60131  
Phone: 800.982.5839 • Fax: 800.447.8329 • sloan.com

Product Categories / Plumbing / Toilets, Urinals & Repair Parts / Toilets / Tankless Toilets / Elongated, Floor, Flush Valve, Toilet Bowl, ...

**AMERICAN STANDARD**

**Elongated, Floor, Flush Valve, Toilet Bowl, 1.1, 1.28, 1.6 Gallons per Flush**



Item #15W681

Mfr. 3043001PL.020  
Model #

UNSPSC #30181505 Catalog Page #N/A

Country of Origin Varies. Country of Origin is subject to change.

These floor-mount tankless toilet bowls connect to a floor waste line and have a top spud to work with an

**Technical Specs**

Item	Toilet Bowl	Spud Connection Size	1 1/2 in
Toilet Product Type	Toilet Bowl	Antimicrobial	No
Toilet Mounting Style	Floor	Toilet Bowl Material	Vitreous China
Toilet Bowl Shape	Elongated	Color Family	Whites
Brand and Series	American Standard Madera(TM) FloWise(R)	ADA Compliance	Yes
Flushing Method	Flush Valve	Manufacturers Warranty Length	1 yr
Flush Valve Type Included	None	Weight Capacity	1,000 lb
Gallons per Flush	1.1, 1.28, 1.6	Rim Height	16 1/2 in
Rough-In	10 in 12 in	Collection	Madera(TM) Flowise(R)

Your Price

**\$123.39** / each



This item requires special shipping, additional charges may apply.

Qty  
6

**Add to Cart**

This product can only be shipped in multiples of 6 .

Setup Auto Reorder

Ship  Pickup

**3** expected to arrive **Tue. Feb 01**. Balance expected to arrive between **Tue. Feb 08 - Tue. Feb 22**.

Ship to 34601 | [Change](#)

Shipping Weight 59 lbs

[Ship Availability Terms](#)

[Add to List](#)

[Add to Quote](#)



# Madera™ FloWise® 16-1/2" Height Elongated Flushometer Toilet

VITREOUS CHINA LESS EVERCLEAN®



## Madera™ FloWise® 16-1/2" Height Elongated LESS EverClean®

- Floor mount flushometer valve toilet
- Vitreous china
- High Efficiency, Low Consumption. Operates in the range of 1.1 gpf to 1.6 gpf (4.2 Lpf to 6.0 Lpf)
- Meets definition of HET (High Efficiency Toilet) when used with a high efficiency flush valve (1.28 gpf or 1.6 / 1.1 gpf dual flush)
- Fully glazed 2-1/8" trapway
- Elongated bowl
- 10" or 12" roughing-in
- 16-1/2" rim height for accessible application
- Condensation channel
- Powerful direct-fed siphon jet action
- 10" x 12" water surface area
- 1-1/2" inlet spud
- 2 bolt caps

- 3043.001** Elongated bowl only, top spud
- 3248.001** Elongated bowl only, top spud with slotted rim for bedpan holding
- 3249.001** Elongated bowl only, back spud

### System MaP\* Score:

- 1,000 grams of miso @ 1.1 gpf, 1.28 gpf or 1.6 gpf when used with an American Standard flush valve

\* Maximum Performance (MaP) testing performed by IAPMO R&T Lab. MaP Report conducted by Veritec Consulting, Inc. and Koeller and Company.

### Component Parts:

- 047007-0070A** Inlet Spud (furnished with bowl)
- 481310-100** Bolt caps with retainers (furnished with bowl)

### Nominal Dimensions:

718 x 356 x 419mm  
(28-1/4" x 14" x 16-1/2")

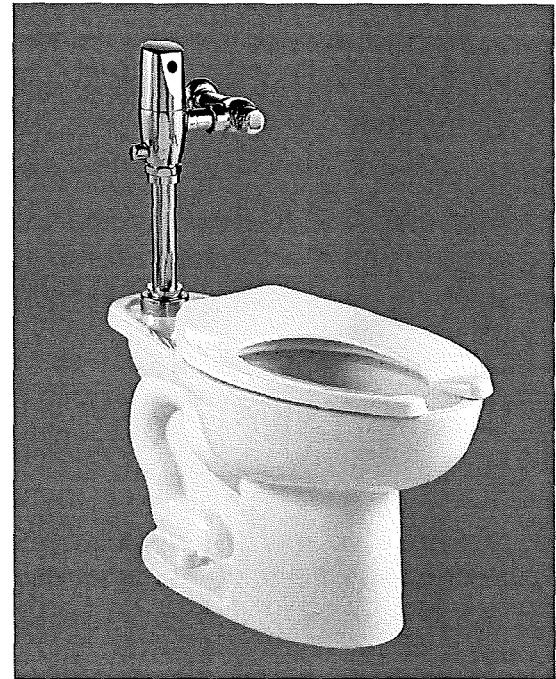
Fixture only, less seat and flush valve

Recommended working pressure—between 25 psi at valve when flushing and 80 psi static

### Compliance Certifications -

#### Meets or Exceeds the Following Specifications:

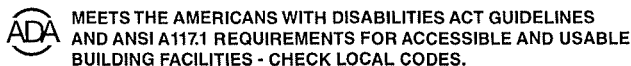
- ASME A112.19.2 / CSA B45.1 for Vitreous China Fixtures



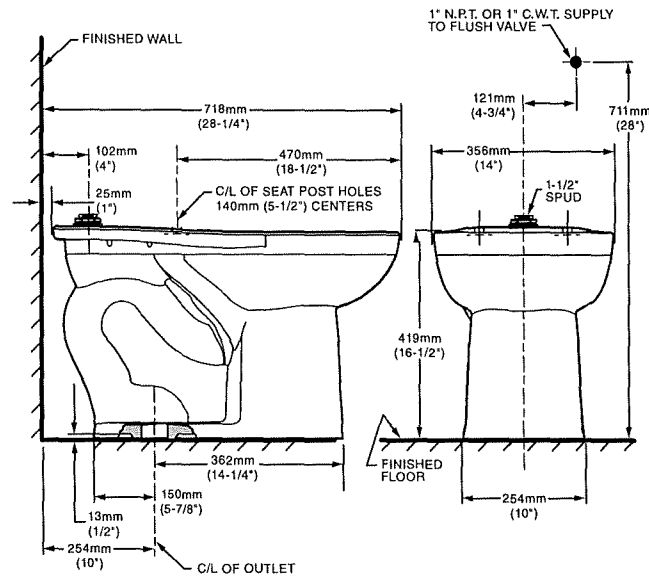
SEE REVERSE FOR ROUGHING-IN DIMENSIONS

### To Be Specified:

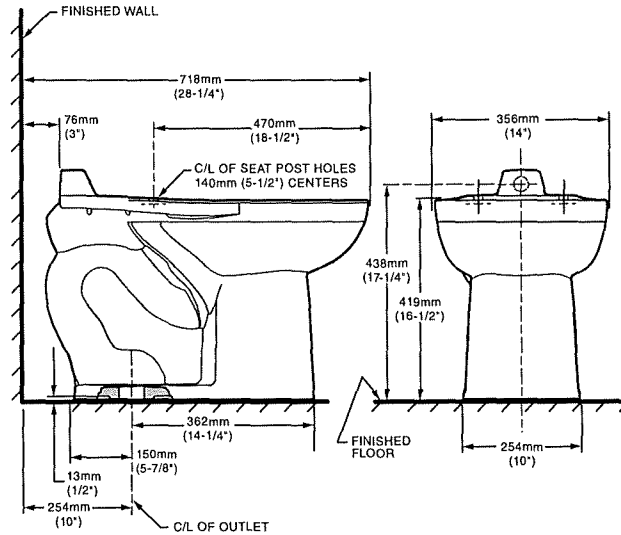
- Color:  White
- Seat:
  - American Standard #5901.100 Heavy duty open front less cover
  - American Standard #5905.100 Extra heavy duty open front less cover
- Flushometer Valve:
  - 1.6 gpf:
    - Sensor-Operated: American Standard Selectronic® DC Power #6065.161.002 (Top Spud)
    - Sensor-Operated: American Standard Selectronic® AC Power #6067.261.002 (Back Spud)
    - Manual: American Standard #6047.161.002 (Top Spud)
  - 1.28 gpf:
    - Sensor-Operated: American Standard Selectronic® DC Power #6065.121.002 (Top Spud)
    - Sensor-Operated: American Standard Selectronic® AC Power #6067.221.002 (Back Spud)
    - Manual: American Standard #6047.121.002 (Top Spud)
  - 1.6 / 1.1 gpf Dual Flush:
    - Sensor-Operated: American Standard Selectronic® DC Power #6065.761.002 (Top Spud)



3043.001/3248.001



3249.001



**NOTES:**  
 PRODUCT 3043 SHOWN, 3248 SAME EXCEPT WITH SLOTTED RIM FOR BED PAN HOLDING.  
 TO COMPLY WITH AREA CODE GOVERNING THE HEIGHT OF VACUUM BREAKER ON THE FLUSHOMETER VALVE, THE PLUMBER MUST VERIFY DIMENSIONS SHOWN FOR SUPPLY ROUGHING.  
 THIS TOILET DESIGNED TO ROUGH-IN AT A MINIMUM DIMENSION OF 254MM (10") AND A MAXIMUM DIMENSION OF 305MM (12") FROM FINISHED WALL TO C/L OF OUTLET.  
 FLUSHOMETER VALVE NOT INCLUDED WITH FIXTURE AND MUST BE ORDERED SEPARATELY. FLUSHOMETER VALVE REQUIREMENTS FOR 12" (305MM) ROUGH-IN; SWEAT EXTENSION NIPPLE IS REQUIRED. REFER TO VALVE MANUFACTURER AND LOCAL CODES.

**IMPORTANT:** Dimensions of fixtures are nominal and may vary within the range of tolerances established by ANSI Standard A112.19.2. These measurements are subject to change or cancellation. No responsibility is assumed for use of superseded or voided pages.



**AMERICAN STANDARD**

**Elongated, Wall, Flush Valve, Toilet Bowl, 1.1, 1.28, 1.6 Gallons per Flush**



Item #20HK93

Mfr. 2257101.021  
Model #

UNSPSC #30181511 Catalog Page #2755

Country of Origin USA. Country of Origin is subject to change.

These wall-mount tankless toilet bowls connect to a wall waste line and have a top spud to work with an

**Technical Specs**

Item	Toilet Bowl	Spud Connection Size	1 1/2 in
Toilet Product Type	Toilet Bowl	Antimicrobial	Yes
Toilet Mounting Style	Wall	Toilet Bowl Material	Vitreous China
Toilet Bowl Shape	Elongated	Color Family	Whites
Brand and Series	American Standard Afwall(R) Millennium(TM) FloWise(R)	ADA Compliance	Yes
Flushing Method	Flush Valve	Manufacturers Warranty Length	1 yr
Flush Valve Type Included	None	Weight Capacity	1,000 lb
Gallons per Flush	1.1, 1.28, 1.6	Rim Height	15 in
Rough-In	Wall Hung	Collection	Afwall(R) Millennium(TM) FloWise(R)

Your Price

**\$158.97 / each**



This item requires special shipping, additional charges may apply.

Qty  
1

**Add to Cart**

Setup Auto Reorder

Ship  Pickup

Expected to arrive  
**Mon. Jan 31.**

Ship to 34601 | [Change](#)

Shipping Weight 67 lbs

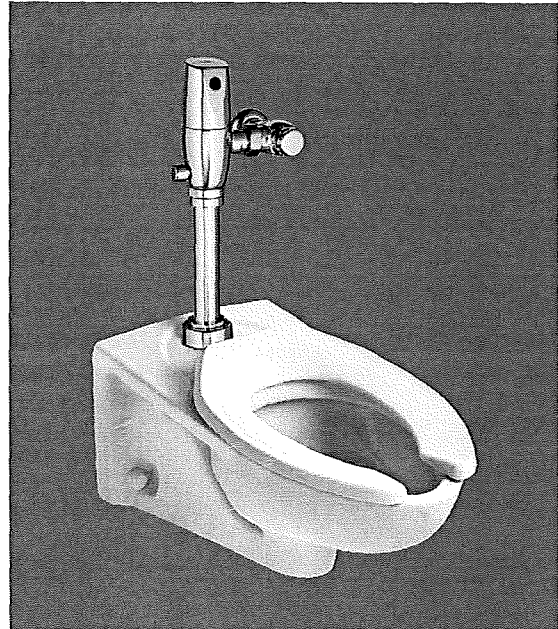
[Ship Availability Terms](#)

[Add to List](#)

[Add to Quote](#)

**Afwall® Millennium™ FloWise® Elongated  
Flushometer Toilet LESS EverClean®**

- Wall-mounted flushometer valve toilet
- Vitreous china
- Conventional glaze
- High Efficiency, Low Consumption. Operates in the range of 1.1 gpf to 1.6 gpf (4.2 Lpf to 6.0 Lpf)
- Meets definition of HET (High Efficiency Toilet) when used with a high efficiency flush valve (1.1 gpf - 1.6 gpf or 1.28/1.1 gpf dual flush)
- Maximum Performance (MaP) score of 1,000 grams at 1.1 gpf - 1.6 gpf
- Condensation channel
- Concealed trapway design
- Elongated bowl
- Powerful direct-fed siphon jet action
- 1-1/2" inlet spud
- Fully-glazed 2-1/8" trapway
- 10" x 12" water surface area
- Tested to support static weight load of 1,000 lbs. (454 kg)



SEE REVERSE FOR ROUGHING-IN DIMENSIONS

- 2257.101** Elongated bowl only, top spud
- 2633.101** Elongated bowl only, top spud with slotted rim for bedpan holding
- 2634.101** Elongated bowl only, back spud

**System MaP\* Score:**

- 1,000 grams of miso @ 1.1 gpf to 1.6 gpf when used with an American Standard flush valve

\* Maximum Performance (MaP) testing performed by IAPMO R&T Lab. MaP Report conducted by Veritec Consulting, Inc. and Koeller and Company.

**Component Parts:**

- 047007-0070A** Inlet Spud (furnished with bowl)

**Nominal Dimensions:**

660 x 356 x 381mm  
(26" x 14" x 15")

Recommended working pressure—between 25 psi at valve when flushing and 80 psi static

Fixture only, less seat, bolt caps, and flushometer valve

**Compliance Certifications -**

**Meets or Exceeds the Following Specifications:**

- ASME A112.19.2/CSA B45.1 for Vitreous China Fixtures

**To Be Specified:**

- Color:  White
- Seat:
  - American Standard #5901.100 Heavy duty open front less cover
  - American Standard #5905.100 Extra heavy duty open front less cover
- Flushometer Valve:
  - 1.6 gpf:
    - Sensor-Operated: American Standard Selectronic® DC Power #6065.161.002 (Top Spud)  
AC Power #6067.161.002 (Top Spud)
    - Manual: American Standard #6047.161.002 (Top Spud)
  - 1.28 gpf:
    - Sensor-Operated: American Standard Selectronic® DC Power #6065.121.002 (Top Spud)  
AC Power #6067.121.002 (Top Spud)
    - Manual: American Standard #6047.121.002 (Top Spud)
  - 1.6 / 1.1 gpf Dual Flush:
    - Sensor-Operated: American Standard Selectronic® DC Power #6065.761.002 (Top Spud)  
AC Power #6067.761.002 (Top Spud)
  - 1.28 / 1.1 gpf Dual Flush:
    - Sensor-Operated: American Standard Selectronic® DC Power #6065.721.002 (Top Spud)  
AC Power #6067.721.002 (Top Spud)



MEETS THE AMERICANS WITH DISABILITIES ACT GUIDELINES AND ANSI A117.1 REQUIREMENTS FOR ACCESSIBLE AND USABLE BUILDING FACILITIES - CHECK LOCAL CODES.

- When installed so top of seat is 432 to 483mm (17" to 19") from the finished floor.



ENVIRONMENTAL  
PRODUCT  
DECLARATION



When used with 1.1 or 1.28 gpf toilet flush valves

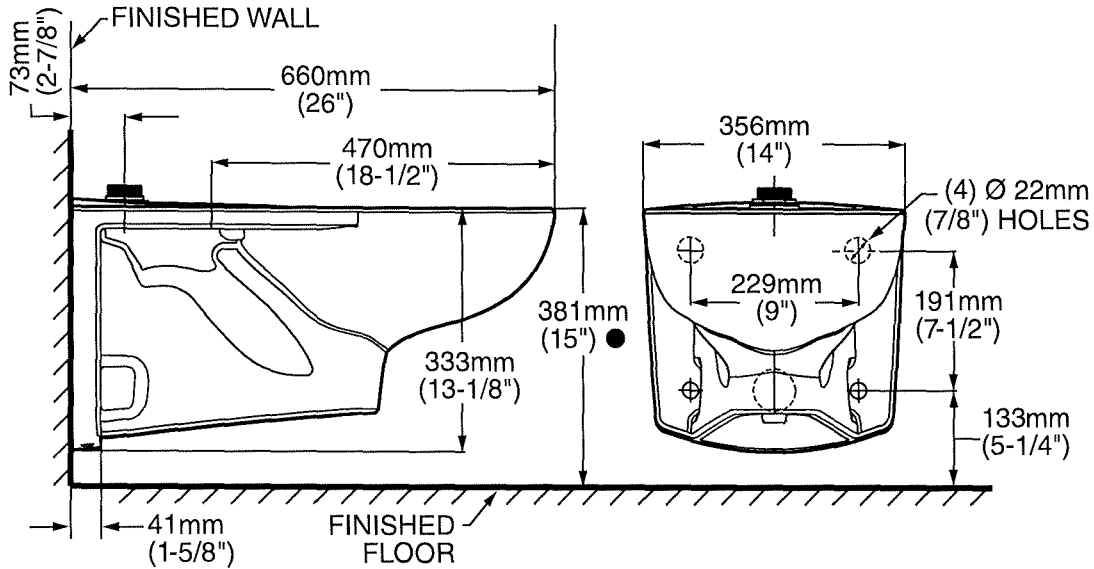


ADA  
COMPLIANT

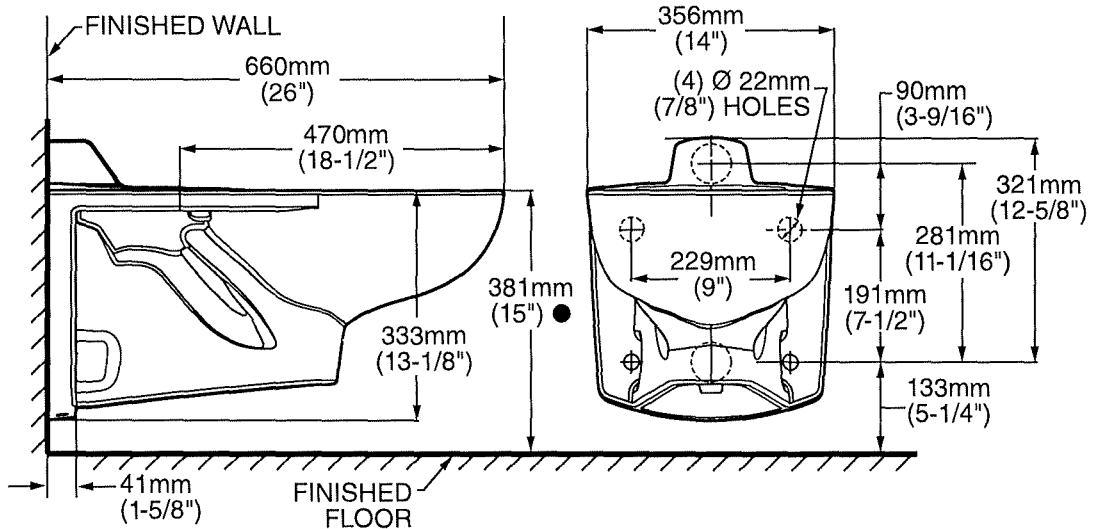


WATER  
EFFICIENT

2257.101/2633.101



2634.101



NOTES:

● Toilet designed to meet ADA accessibility standards when top of seat height set at 432 to 483mm (17" to 19") from finished floor.

PRODUCT 2257 SHOWN, 2366 SAME EXCEPT WITH SLOTTED RIM FOR BED PAN HOLDING.

WASTE OUTLET SEAL RING MUST BE NEOPRENE OR GRAPHITE-FELT (WAX RING NOT RECOMMENDED).

SUGGESTED 2mm (1/16) CLEARANCE BETWEEN FACE OF WALL AND BACK OF BOWL.

TO COMPLY WITH AREA CODE GOVERNING THE HEIGHT OF VACUUM BREAKER ON THE FLUSHOMETER VALVE, THE PLUMBER MUST

VERIFY DIMENSIONS SHOWN FOR SUPPLY ROUGHING.

FLUSHOMETER VALVE NOT INCLUDED WITH FIXTURE AND MUST BE ORDERED SEPARATELY.

CARRIER FITTING AS REQUIRED TO BE FURNISHED BY OTHERS.

PROVIDE SUITABLE REINFORCEMENT FOR ALL WALL SUPPORT.

**IMPORTANT:** Dimensions of fixtures are nominal and may vary within the range of tolerances established by ANSI Standard A112.19.2. These measurements are subject to change or cancellation. No responsibility is assumed for use of superseded or voided pages